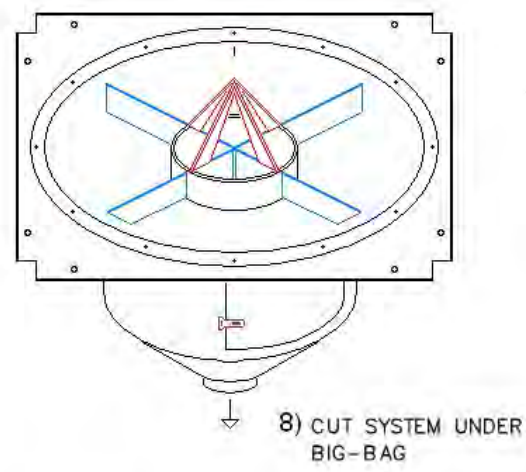
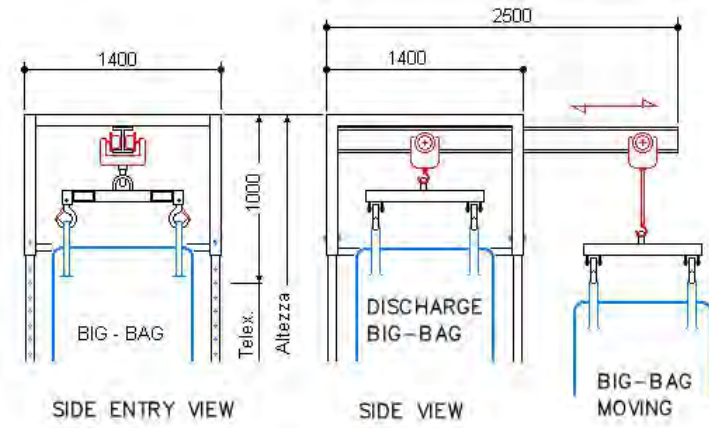
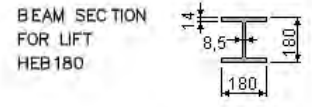
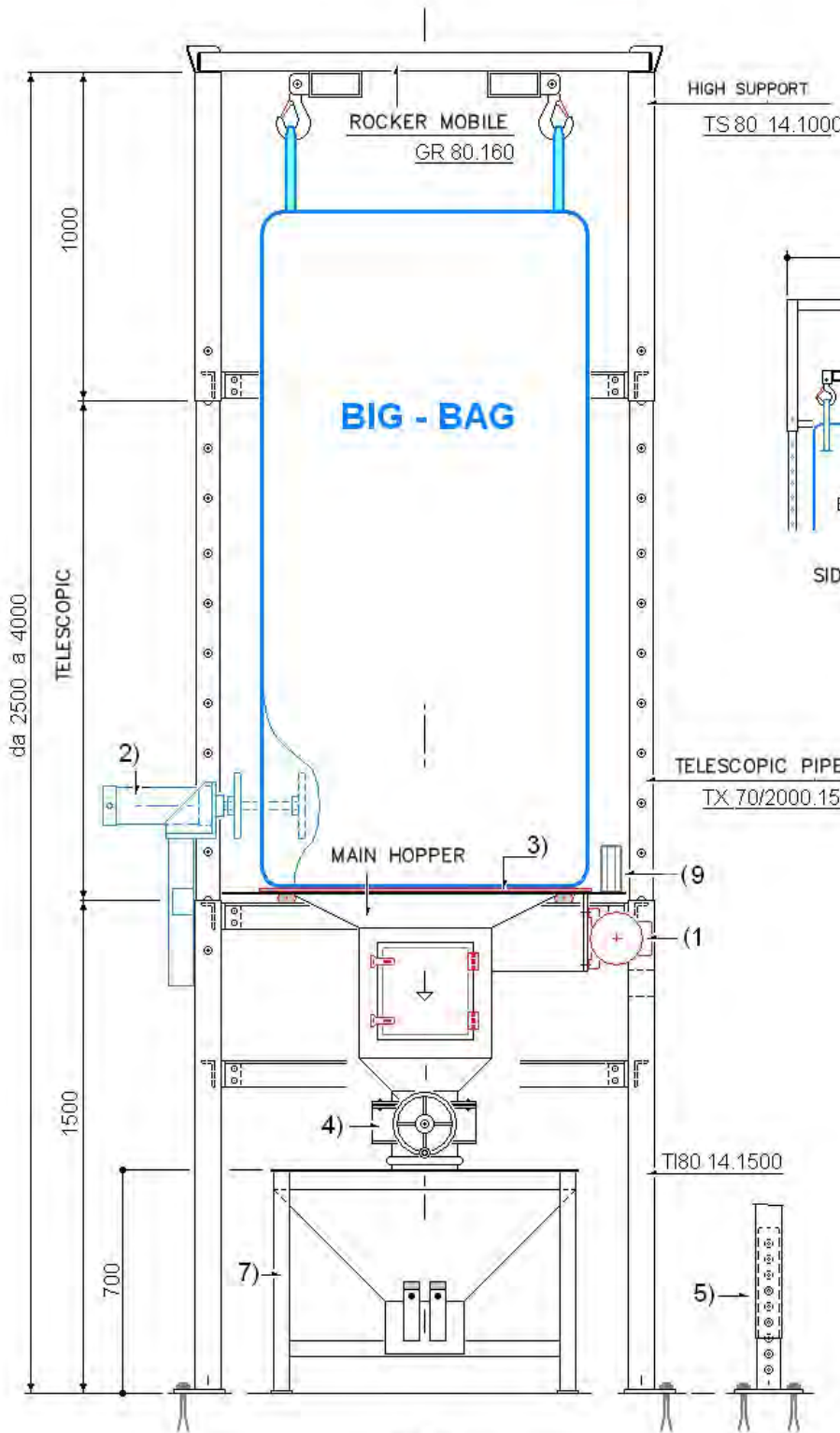


6) HIGHER HEAD FOR LOAD AND UNLOAD  
BIG BAG WITH LIFT



OPTIONAL

- 01) - ELECTRIC VIBRATION SYSTEM
- 02) - PNEUMATIC SYSTEM FOR SHAKING
- 03) - RUBBER DISC FOR SUPPORT BIG-BAG
- 04) - GATE VALVE
- 05) - TELESCOPIC FEET
- 06) - HIGH BEAM FOR LIFT AND BIG-BAG PLACEMENT
- 07) - HOPPER BASE FOR TAKING MATERIAL WITH SUCTION PIPE
- 08) - BIG-BAG CUT SYSTEM
- 09) - HOSE BREATHER

