

MFL & MFH Mainframe Configurations

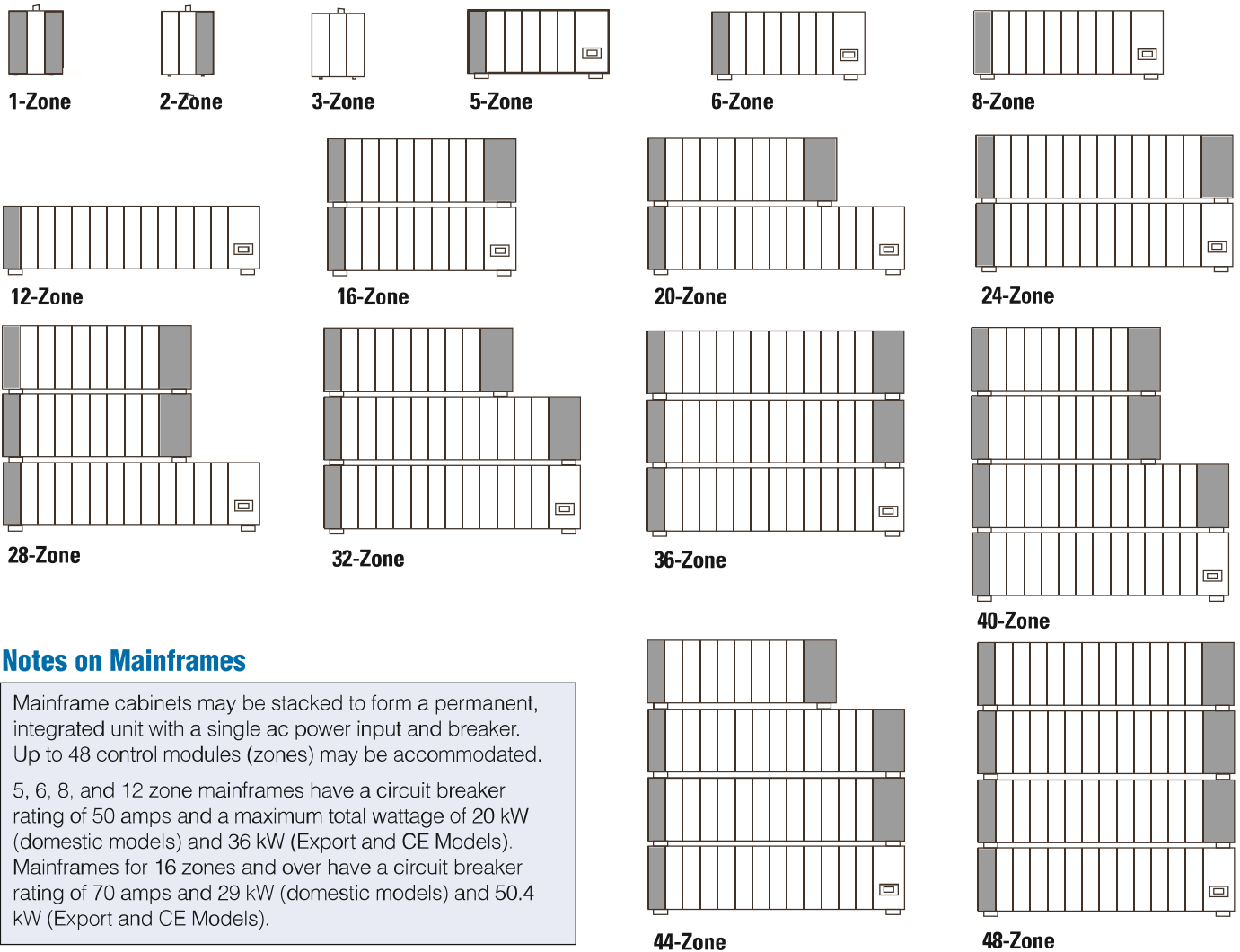
Mainframes for 15-Amp Control Modules*

For use with RMA, RMB, RMC & IMP control modules only

The configurations illustrated below provide a wide selection of zone capacities to suit almost any hot runner control application. The 5, 6, 8 and 12 zone frames use individual frame sections. The 16 thru 48 zone frames use 2, 3 or 4 frame sections rigidly fastened together into one prewired integral unit which requires only one main AC power input connection.

Dimensions*				
MFL Mainframe	Height	Depth	Width	MFH Mainframe
1- & 2-zone	9-1/4"	10"	7"	1-zone
3-zone	9-1/4"	12-3/4"	7"	
5-zone	8-7/8"	11-1/2"	16-1/8"	2-zone
6-zone	8-7/8"	11-1/2"	18-1/8"	3-zone
8-zone	8-7/8"	11-1/2"	22-1/8"	4-zone
12-zone	8-7/8"	11-1/2"	30-1/4"	5- & 6-zone

*For mainframes over 12 zones, add dimensions of stacked cabinets.



Notes on Mainframes

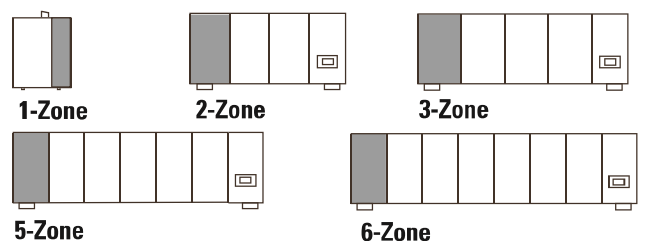
Mainframe cabinets may be stacked to form a permanent, integrated unit with a single ac power input and breaker. Up to 48 control modules (zones) may be accommodated.

5, 6, 8, and 12 zone mainframes have a circuit breaker rating of 50 amps and a maximum total wattage of 20 kW (domestic models) and 36 kW (Export and CE Models). Mainframes for 16 zones and over have a circuit breaker rating of 70 amps and 29 kW (domestic models) and 50.4 kW (Export and CE Models).

Mainframes for 30-amp Modules**

The 5 configurations illustrated provide 1, 2, 3, 5 or 6 zones of 30 amp control for higher wattage heater applications.

**NOTE: Blank panel(s) should be ordered to provide for heat dissipation and to cover unused zones in frames. Combination frames to accommodate both 15 and 30 amp modules are available on special order.



MFL, MFH and Portable Mainframes



Single-Zone



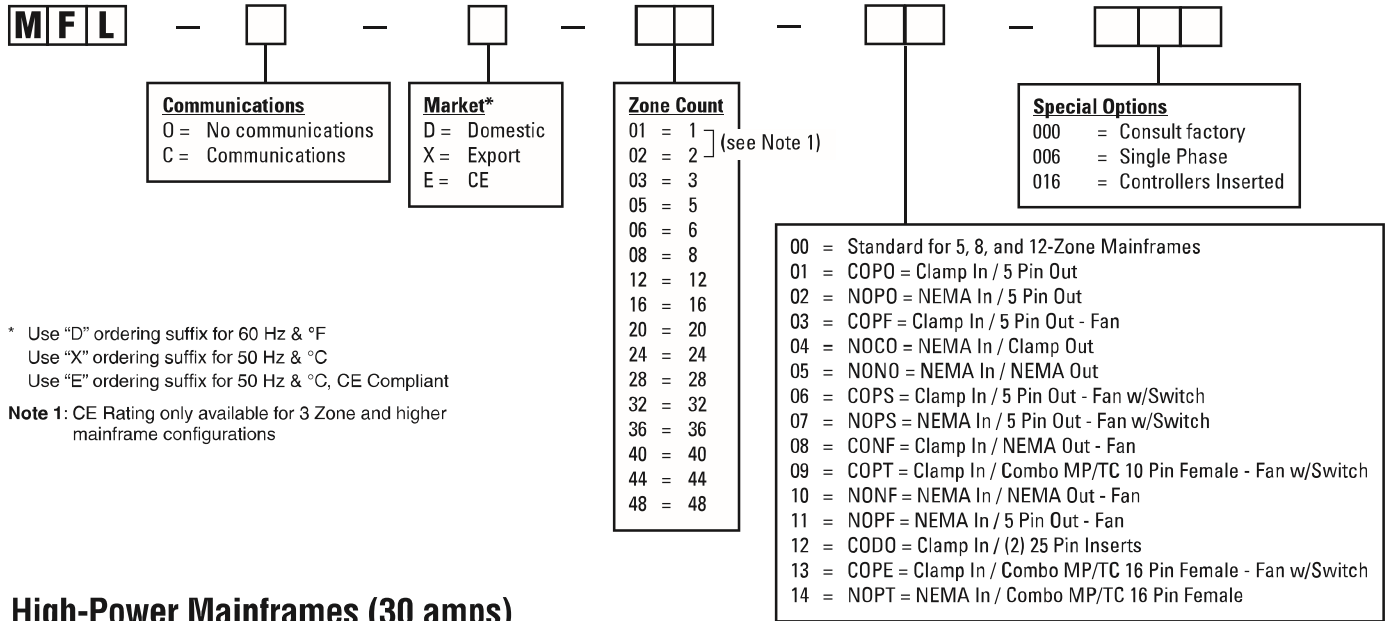
Dual-Zone



Tri-Zone

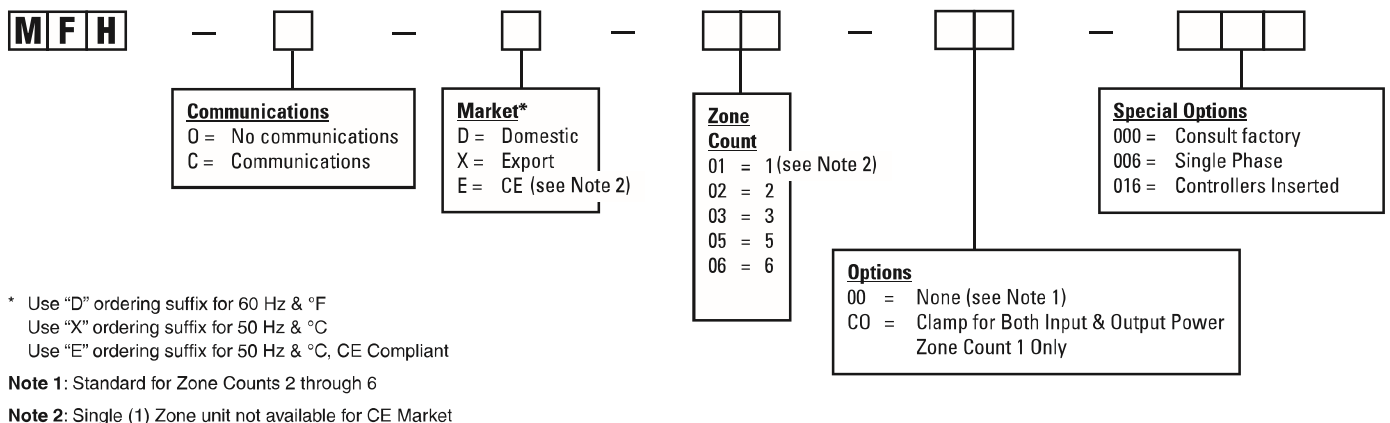
Standard Mainframes (15 amps)

Ordering Information



High-Power Mainframes (30 amps)

Ordering Information



MFL, MFH and Portable Hot Runner Controls, System Components

#Zones	Cables		Connectors		Mold Terminal Boxes**		
	Mold Power (C10=10 Ft) (C20=20 Ft)	Thermocouple (C10=10 Ft) (C20=20 Ft)	Mold Power Input*	Thermocouple	Power Input	Thermocouple	Combination

* Includes Crimp Connectors

**Order Power Input and Thermocouple or Combination

Standard Mainframe (“A” Suffix = Domestic or Export, “E” Suffix = CE Compliant)

#Zones	Reference page 37 for cables and connectors						
5	1-MPCL05Cxxz	1-TC05Cxxz	1-PICL05z	1-MTC05z	1-PICL512TBz	1-MTC005TBz	1-PTCL005TBz
8	1-MPCL08Cxxz	1-TC08Cxxz	1-PICL08z	1-MTC08z	1-PICL512TBz	1-MTC008TBz	1-PTCL008TBz
12	1-MPCL12Cxxz	1-TC12Cxxz	1-PICL12z	1-MTC12z	1-PICL512TBz	1-MTC012TBz	1-PTCL012TBz
16	2-MPCL08Cxxz	2-TC08Cxxz	2-PICL08z	2-MTC08z	2-PICL512TBz	2-MTC008TBz	2-PTCL008TBz
20	1-MPCL08Cxxz	1-TC08Cxxz	1-PICL08z	1-MTC08z	2-PICL512TBz	1-MTC008TBz	1-PTCL008TBz
	1-MPCL12Cxxz	1-TC12Cxxz	1-PICL12z	1-MTC12z	1-MTC012TBz	1-PTCL012TBz	
24	2-MPCL12Cxxz	2-TC12Cxxz	2-PICL12z	2-MTC12z	2-PICL512TBz	2-MTC012TBz	2-PTCL012TBz
28	2-MPCL08Cxxz	2-TC08Cxxz	2-PICL08z	2-MTC08z	3-PICL512TBz	2-MTC008TBz	2-PTCL008TBz
	1-MPCL12Cxxz	1-TC12Cxxz	1-PICL12z	1-MTC12z		1-MTC012TBz	1-PTCL012TBz
32	1-MPCL08Cxx	1-TC08Cxxz	1-PICL08z	1-MTC08z	3-PICL512TBz	1-MTC008TBz	1-PTCL008TBz
	2-MPCL12Cxx	2-TC12Cxxz	2-PICL12z	2-MTC12z		2-MTC012TBz	2-PTCL012TBz
36	3-MPCL12Cxx	3-TC12Cxxz	3-PICL12z	3-MTC12z	3-PICL512TBz	3-MTC012TBz	3-PTCL012TBz
40	2-MPCL08Cxxz	2-TC08Cxxz	2-PICL08z	2-MTC08z	4-PICL512TBz	2-MTC008TBz	2-PTCL008TBz
	2-MPCL12Cxxz	2-TC12Cxxz	2-PICL12z	2-MTC12z		2-MTC012TBz	2-PTCL012TBz
44	1-MPCL08Cxxz	1-TC08Cxxz	1-PICL08z	1-MTC08z	4-PICL512TBz	1-MTC008TBz	1-PTCL008TBz
	3-MPCL12Cxxz	3-TC12Cxxz	3-PICL12z	3-MTC12z		3-MTC012TBz	3-PTCL012TBz
48	4-MPCL12Cxxz	4-TC12Cxxz	4-PICL12z	4-MTC12z	4-PICL512TBz	4-MTC012TBz	4-PTCL12TBz

High-Power Mainframe (“A” Suffix = Domestic or Export, “E” Suffix = CE Compliant)

2	1-MPCH23Cxxz	1-TC05Cxxz	1-PICH23z	1-MTC05z	1-PICH023TBz	1-MTC005TBz	1-PTCH023TBz
3	1-MPCH23Cxxz	1-TC05Cxxz	1-PICH23z	1-MTC05z	1-PICH023TBz	1-MTC005TBz	1-PTCH023TBz
5	1-MPCH05Cxxz	1-TC05Cxxz	1-PICH05z	1-MTC05z	1-PICH005TBz	1-MTC005TBz	1-PTCH005TBz
6	1-MPCH06Cxxz	1-TC08Cxxz	1-PICH06z	1-MTC08z	1-PICH006TBz	1-MTC008TBz	1-PTCH006TBz

Note: Replace xx with Cable Length (10 = 10 ft., 20 = 20 ft.)
Replace z with Wiring (A = Domestic/Export, E = CE Complaint)

