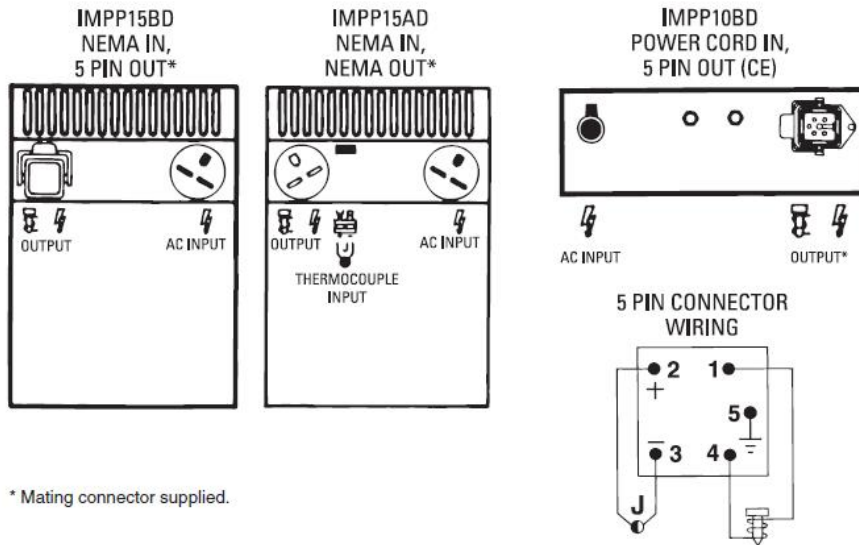


Series IMP/P and RMC/P Horizontal Portable Controllers

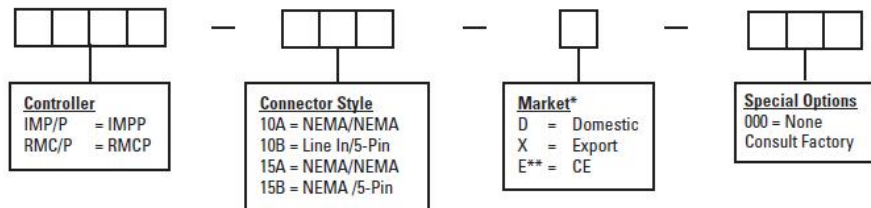
Series IMP/P Single-Zone Controller



For features and technical specifications of the Series IMP/P, refer to the Series IMP description on pages 20 & 21.

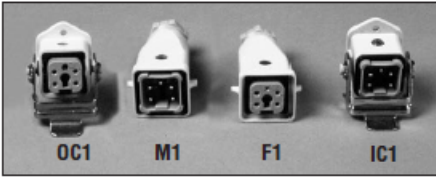


Ordering Information

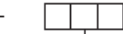


* Use "D" ordering suffix for 60 Hz & °F
Use "X" ordering suffix for 50 Hz & °C
Use "E" ordering suffix for 50 Hz & °C, CE Compliant
** 10 amp only

5-Pin Combination Power and Thermocouple Connectors for Portable Controllers (one per zone required)



C K P T



Type
 OC1 = Frame
 M1 = Cable, Frame-End
 F1 = Cable, Mold-End
 IC1 = Mold

NEMA Connectors for Portable Controllers

215K005U01 (AC1512F)	215K006U01 (AC1512M)	215K004U01 (AC1524F)	215K003U01 (AC1524M)
Cord connector, female 15 A, 125 V Power out	Cord connector, male 15 A, 125 V Power in	Cord connector, female 15 A, 250 V Power out	Cord connector, male 15 A, 250 V Power in

215K002U01 (AC2024F)	215K001U01 (AC2024M)	TCS1	215P001U01 (M2MJ)
Connector chassis, female 20 A, 250 V Power out	Connector chassis, male 20 A, 250 V Power in	TC Socket, mold side	TC mini-plug

Individual 5-Pin Cable for Portable Controllers (one per zone required)



M P T C



Length
 10 = 10'
 20 = 20'