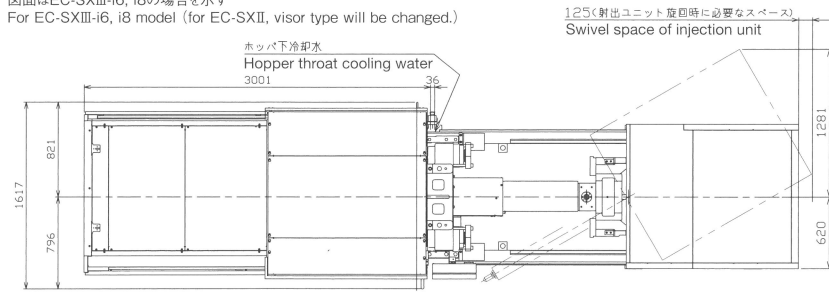


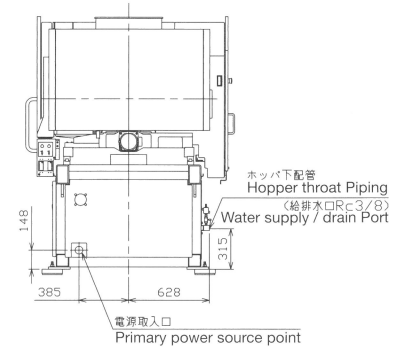
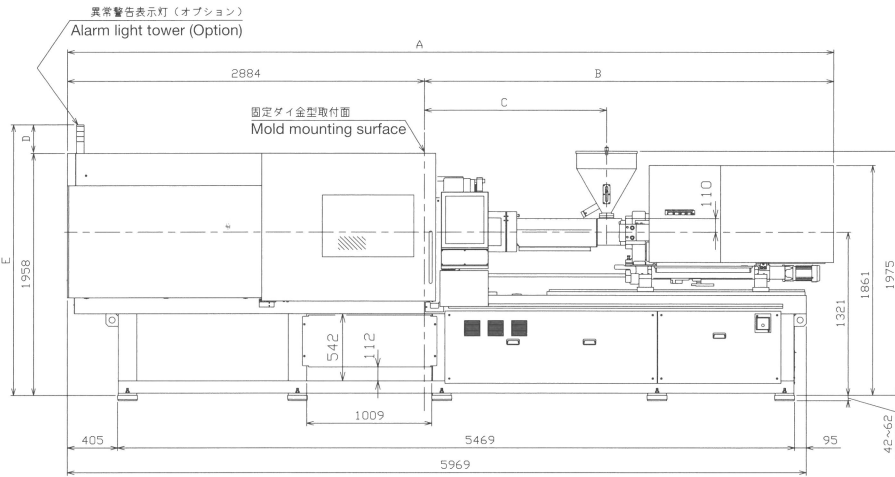
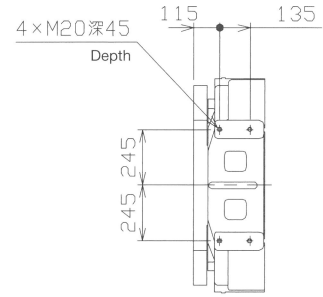
# EC230SXII/SXIII

## ◆外形図 General view

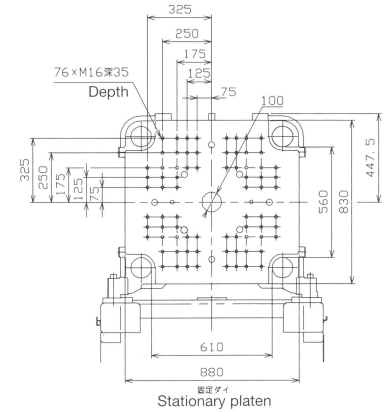
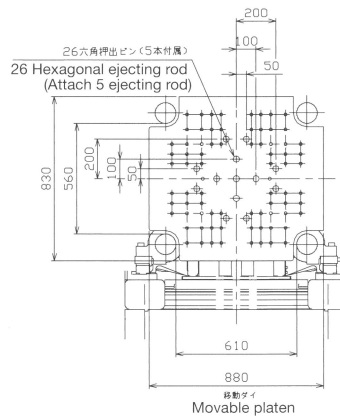
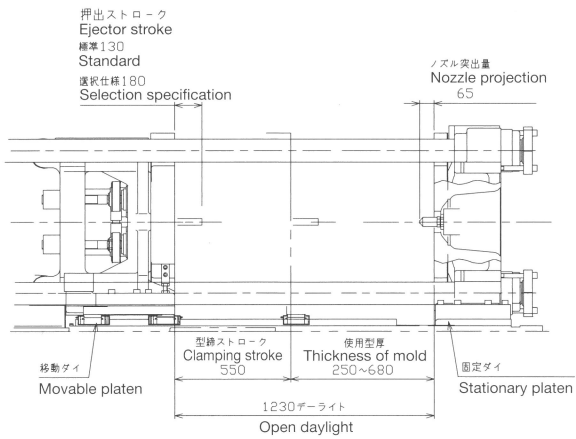
図面はEC-SXIII-i6, i8の場合を示す  
For EC-SXIII-i6, i8 model (for EC-SXII, visor type will be changed.)



## ◆取出機取付部 Take-out robot mounting surface



## ◆金型取付関係図 Mold mounting space



| 射出ユニット<br>Injection Unit | A    | B    | C    |
|--------------------------|------|------|------|
| 4A,Y                     | 5722 | 2838 | 1323 |
| 4B                       | 5827 | 2943 | 1428 |
| 6A,Y                     | 6190 | 3306 | 1473 |
| 8A,Y                     | 6289 | 3405 | 1572 |
| 8B                       | 6393 | 3509 | 1676 |

| 異常警告表示灯(オプション)<br>Alarm light tower (Option) |     |      |
|--|-----|------|
| 段数<br>Number of stages                       | D   | E    |
| 1  | 146 | 2104 |
| 3  | 228 | 2186 |