

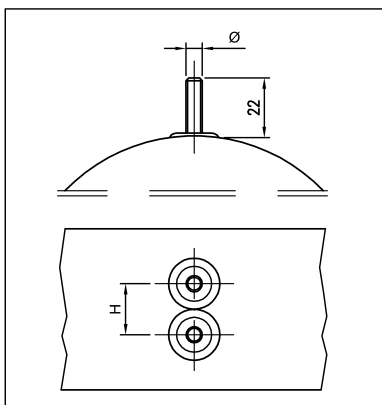
ELECTRICAL CONNECTIONS for MIKAPLAST, MIKASTRIP, KERAPLAST and KERASTRIP

Different solutions are available to connect MIKAPLAST, MIKASTRIP, KERAPLAST and KERASTRIP heaters to the power supply. They allow to respond adequately to all needs.

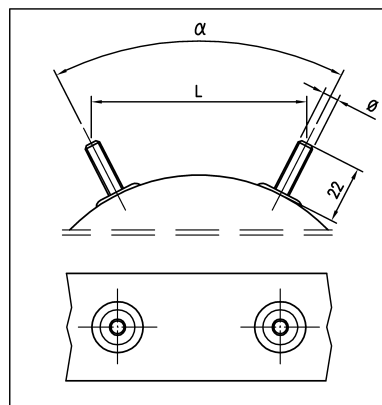
The sketches presented hereunder summarise all possible alternatives pointing out, for each terminal board:

- The commercial identification name (see box "Type")
- Dimensions, envelope, maximum allowable current and voltage
- The type of power supply that they can support (monophase = 2-poles or tri-phase = 3-poles)
- Connection type (screw connection, via standard connector, with welded cable or with clamped cable)
- The cable outlet direction (when more than one orientation is possible)
- The applicability (i.e. which are the heater types which are compatible with this type of terminal board)

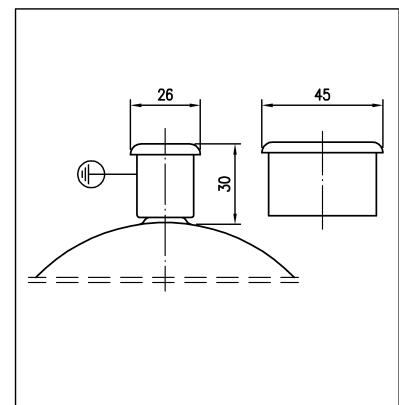
Please specify, in your request for quotation or in your order, the connection you would like to have, having in mind that the terminal board types which can be used on KERAPLAST heaters are suitable for KERASTRIP heaters too. If you do not express any preference, we will define the most appropriate solution on the basis of our experience.



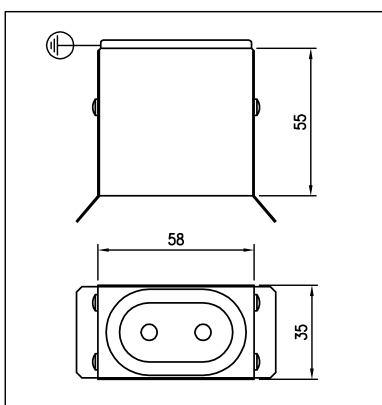
Type	MK80		Can be used on	
Connect.	SCREW Ø M5	SCREW Ø M6	MIKAPLAST	X
			KERAPLAST	
I _{max}	250V 15A	250V 20A	MIKASTRIP	
Note: Specify dimension H (H _{min} = 19mm) Heater minimum width = 60 mm				



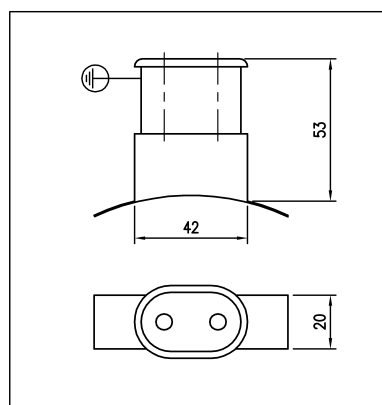
Type	MK90		Can be used on	
Connect.	SCREW Ø M5	SCREW Ø M6	MIKAPLAST	X
			KERAPLAST	
I _{max}	250V 15A	250V 20A	MIKASTRIP	
Note: Specify α or L (L _{min} = 19mm) Heater minimum width = 40 mm				



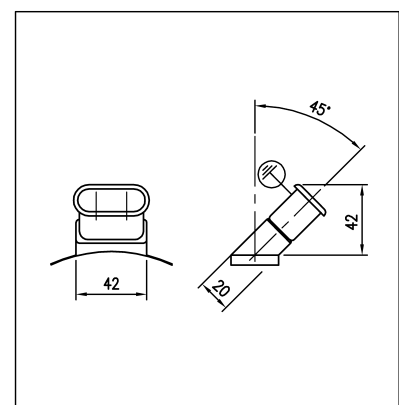
Type	MK100		Can be used on	
Connect.	DIN 49491 CONNECTOR		MIKAPLAST	X
	2-Poles+Ground		KERAPLAST	
			MIKASTRIP	X
I _{max}	250V 16A			
Note: Heater minimum width = 60 mm pin Ø6 / interax.19				



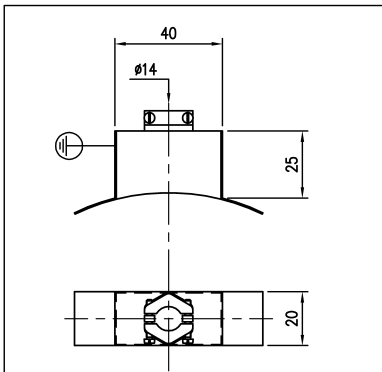
Type	MK109		Can be used on	
Connect.	DIN 49491 CONNECTOR		MIKAPLAST	
	2-Poles+Ground		KERAPLAST	X
			MIKASTRIP	
I _{max}	250V 16A			
Note: pin Ø6 / int.19				



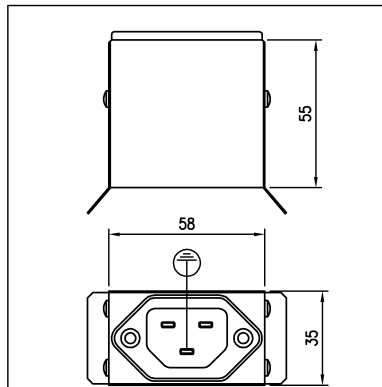
Type	MK110		Can be used on	
Connect.	DIN 49491 CONNECTOR		MIKAPLAST	X
	2-Poles+Ground		KERAPLAST	X
			MIKASTRIP	X
I _{max}	250V 16A			
Note: pin Ø6 / int.19				



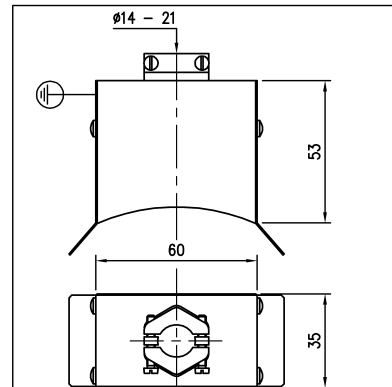
Type	MK110/45°		Can be used on	
Connect.	DIN 49491 CONNECTOR		MIKAPLAST	X
	2-Poles+Ground		KERAPLAST	
			MIKASTRIP	
I _{max}	250V 16A			
Note: pin Ø6 / int.19				



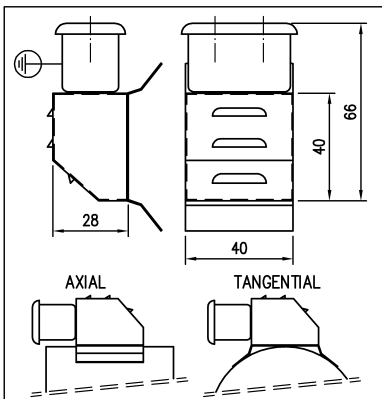
Type	MK111	Can be used on	
Cable	Welded, 2-poles	MIKAPLAST	X
		KERAPLAST	X
I _{max}	20A	MIKASTRIP	X
Dir.			
Note:			



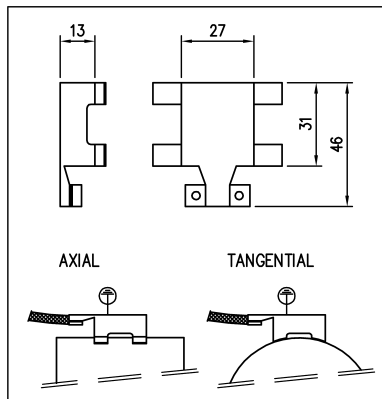
Type	MK112	Can be used on	
Connect.	DIN49458 B CEE22 CONNECTOR	MIKAPLAST	X
	2-Poles+Ground	KERAPLAST	X
I _{max}	250V 16A	MIKASTRIP	X
Dir.			
Note:			



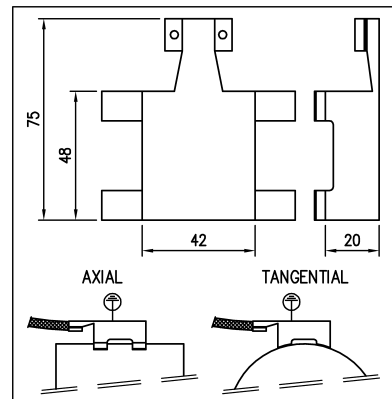
Type	MK113	Can be used on	
Cable	Welded 2-Poles+Ground	MIKAPLAST	X
		KERAPLAST	X
I _{max}	30A	MIKASTRIP	X
Dir.			
Note:			



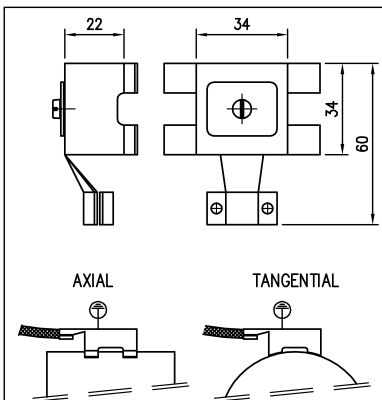
Type	MK120	Can be used on	
Connect.	DIN49491 CONNECT. 2-Poles+Ground	MIKAPLAST	X
		KERAPLAST	X
I _{max}	250V 16A	MIKASTRIP	X
Dir.	Tangential or Axial		
Note:	pin $\varnothing 6$ / int.19		



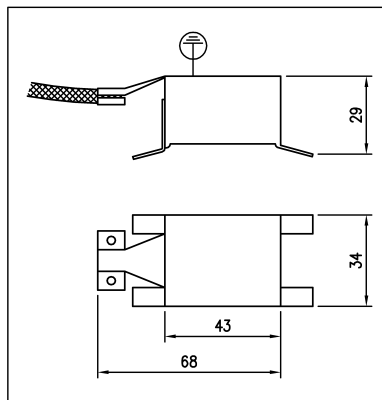
Type	MK160	Can be used on	
Cable	Welded 2-Poles+Ground	MIKAPLAST	X
		KERAPLAST	X
I _{max}	12A	MIKASTRIP	X
Dir.	Tangential or Axial		
Note:			



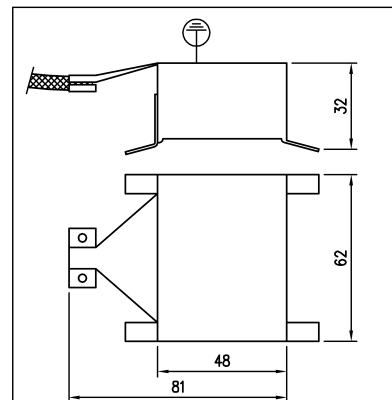
Type	MK170	Can be used on	
Cable	Welded 2-Poles+Ground	MIKAPLAST	X
		KERAPLAST	X
I _{max}	30A	MIKASTRIP	X
Dir.	Tangential or Axial		
Note:			



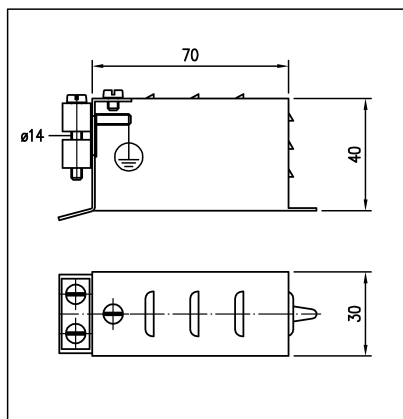
Type	MK180	Can be used on	
Cable	Welded or clamped 2-Poles + Ground	MIKAPLAST	X
		KERAPLAST	
I _{max}	18A	MIKASTRIP	X
Dir.	Tangential or Axial		
Note:			



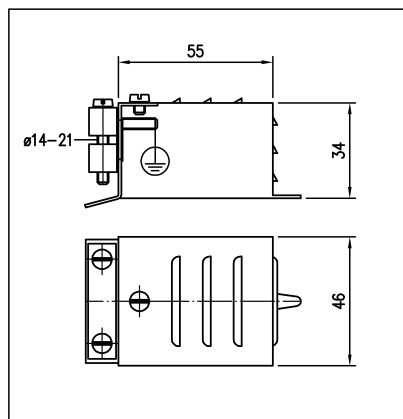
Type	KR130	Can be used on	
Cable	Saldato 2-Poles + Ground	MIKAPLAST	X
		KERAPLAST	X
I _{max}	30A	MIKASTRIP	
Dir.	Tangential		
Note:			



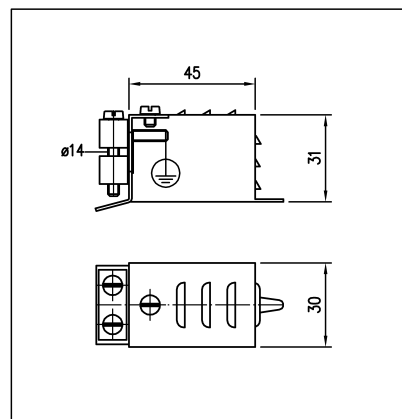
Type	KR140	Can be used on	
Cable	Welded, 2-Poles or 3-Poles + Ground	MIKAPLAST	
		KERAPLAST	X
I _{max}	60A	MIKASTRIP	
Dir.	Tangential		
Note:			



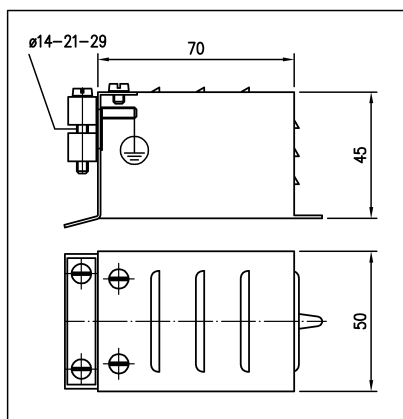
Type	KR160	Can be used on	
Cable	2-Poles, clamped	MIKAPLAST	X
		KERAPLAST	X
I _{max}	20A	MIKASTRIP	
Dir.	Tangential		
Note:			



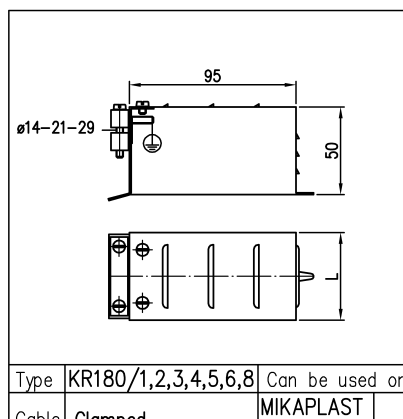
Type	KA118	Can be used on	
Cable	2-Poles, clamped	MIKAPLAST	X
		KERAPLAST	X
I _{max}	40A	MIKASTRIP	X
Dir.	Tangential		
Note:			



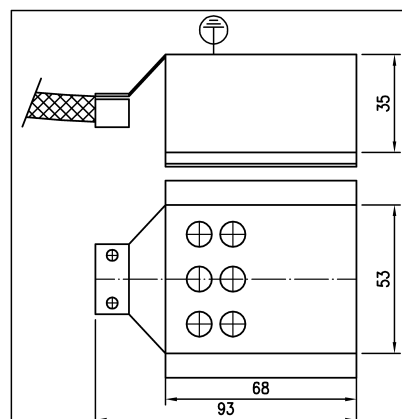
Type	KA125	Can be used on	
Cable	2-Poles, clamped	MIKAPLAST	X
		KERAPLAST	X
I _{max}	20A	MIKASTRIP	X
Dir.	Tangential		
Note:			



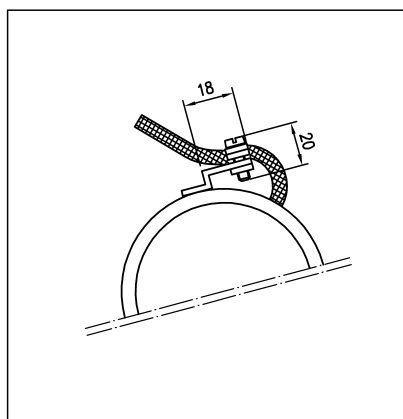
Type	KA155	Can be used on	
Cable	2-Poles, clamped	MIKAPLAST	X
		KERAPLAST	X
I _{max}	40A	MIKASTRIP	X
Dir.	Tangential		
Note:			



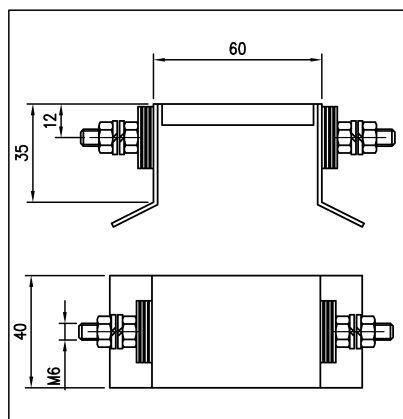
Type	KR180/1,2,3,4,5,6,8	Can be used on	
Cable	Clamped	MIKAPLAST	
		KERAPLAST	X
Dir.	Tangential	MIKASTRIP	
KR180/1 L=42 mm 2 - Poles 40A KR180/2 L=50 mm 2 - Poles 60A KR180/3 L=70 mm 2 or 3 - Poles 60A KR180/4 L=85 mm 2 or 3 - Poles 60A KR180/5 L=100 mm 2 or 3 - Poles 60A KR180/6 L=115 mm 2 or 3 - Poles 60A KR180/8 L=140 mm 2 or 3 - Poles 60A			
Note:			



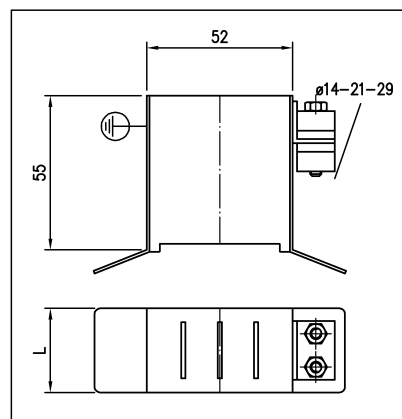
Type	MK190	Can be used on	
Cable	2 or 3 - Poles + Ground Welded or clamped	MIKAPLAST	X
		KERAPLAST	
I _{max}	40A	MIKASTRIP	X
Dir.	Axial		
Note:			



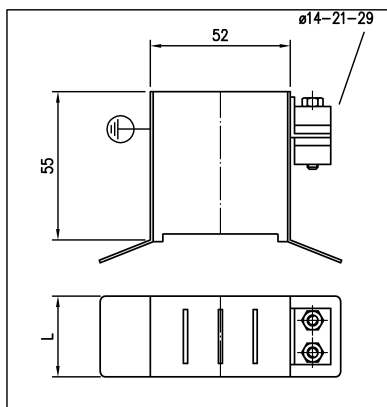
Type	CABLE GLAND	Can be used on	
Cable	2-Poles Welded	MIKAPLAST	X
		KERAPLAST	X
I _{max}	20A	MIKASTRIP	X
Dir.	Tangential or axial		
Note:			



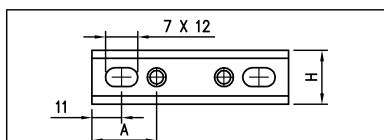
Type	KR100	Can be used on	
Connect	Screw ø M6	MIKAPLAST	
		KERAPLAST	X
I _{max}	40A	MIKASTRIP	
Dir.	Tangential		
Note:			



Type	KR105 - KR106	Can be used on	
Cable	See Table Below	MIKAPLAST	X
		KERAPLAST	X
Dir.	Tangential	MIKASTRIP	
KR105 Cable L=50 mm - 2 or 3-Poles - 40 A KR106 Cable L=75 mm - 2 or 3-Poles - 60 A			
Note:			



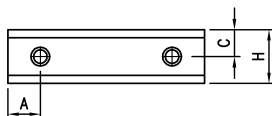
Type	KR104 – KR107	Can be used on	
Cable	See Table Below	MIKAPLAST	
Dir.	Tangential	KERAPLAST	X
		MIKASTRIP	
KR104	L=30 mm – 2-Poles – 20 A		
Cable	Welded		
KR107	L=50 mm – 2-Poles – 40 A		
Cable	Clamped		



Terminal details: see dedicated drawing

Type	MK21	Can be used on MIKASTRIP			
ø screw	min. H	min. A	min. B	min. C	min. D
M5	30	30			
M6	35	35			

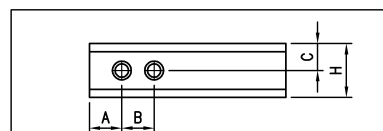
Specify dimension A (mm)



Terminal details: see dedicated drawing

Type	MK22	Can be used on MIKASTRIP			
ø screw	min. H	min. A	min. B	min. C	min. D
M5	30	12		15	
M6	35	17		17.5	

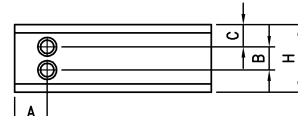
Specify dimension A and C (mm)



Terminal details: see dedicated drawing

Type	MK23	Can be used on MIKASTRIP			
ø screw	min. H	min. A	min. B	min. C	min. D
M5	30	12	19	15	
M6	35	17	25	17.5	

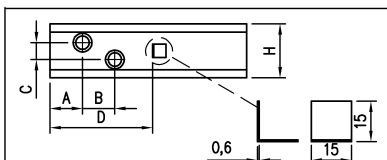
Specify dimension A; B; C (mm)



Terminal details: see dedicated drawing

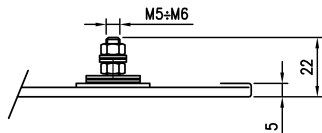
Type	MK24	Can be used on MIKASTRIP			
ø screw	min. H	min. A	min. B	min. C	min. D
M5	49	12	19	15	
M6	60	17	25	17.5	

Specify dimension A; B; C (mm)

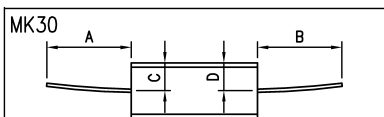


Terminal details: see dedicated drawing

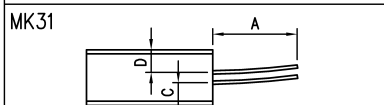
Type	MK25	Can be used on MIKASTRIP			
ø screw	A	B	C	D	min. H
M6	15	25	30	55	75



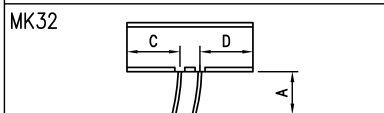
Type	MIKASTRIP Terminal – detail				
ø	M5	– 250 V 15 A			
ø	M6	– 250 V 20 A			



Nickel cables – Fiber-glass/Silicone Insulation

 Note: Specify dimension C=mm, D=mm
A=mm and B=mm


Nickel cables – Fiber-glass/Silicone Insulation

 Note: Specify dimension C=mm, D=mm
and A=mm


Nickel cables – Fiber-glass/Silicone Insulation

 Note: Specify dimension C=mm, D=mm
and A=mm