

INSULATED INTERMEDIATE HOPPERS

DESCRIZIONE / DESCRIPTION:

Costruita in acciaio inox / *Made in stainless steel.*

Completamente coibentata / *All insulated.*

Chiusura a leva sul coperchio / *Closed lever on the cover.*

Guarnizione sul coperchio / *Gasket on the cover.*

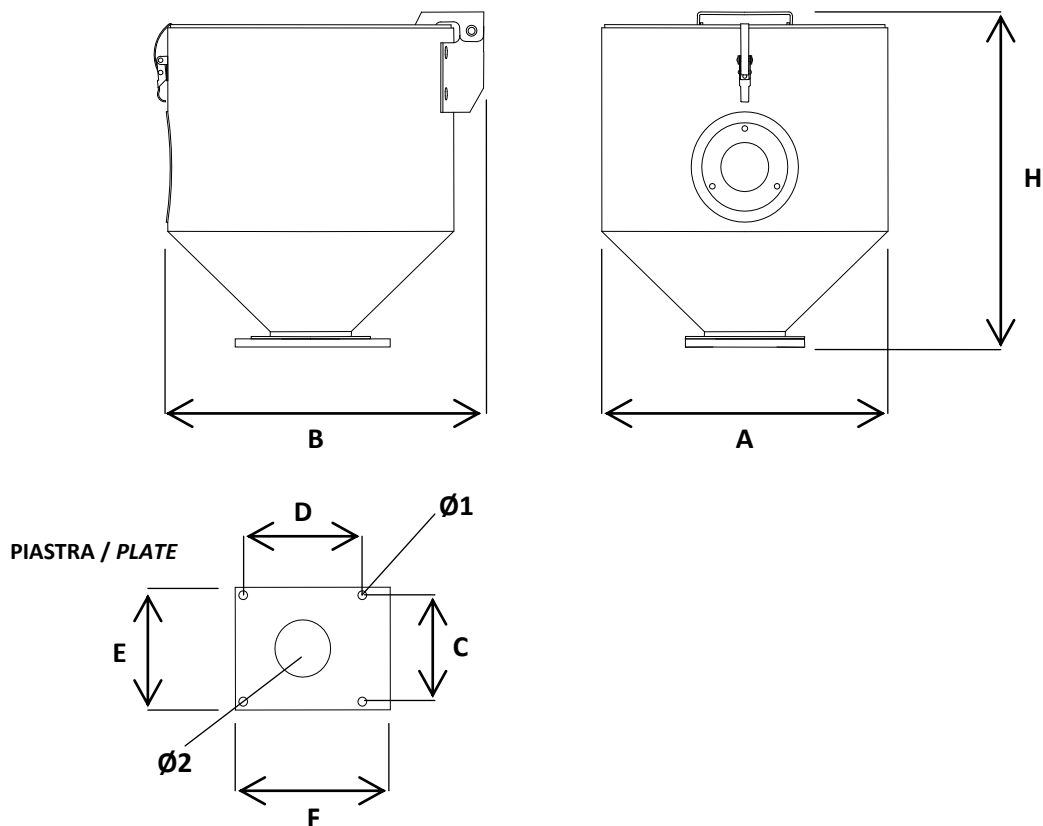
Ampia spia in vetro / *Big borosilicate glass spyhole.*



| MODELLO MODEL | CAPACITA' CAPACITY | | PIASTRE PLATES | | COPERCHIO COVER | | |
|------------------|-----------------------|-------------------------------------|---------------------|---------------------------|---------------------|-------------------|--|
| | dm ³ | kG PSA 0,6 kG/dm ³ | N°Fori Holes No. | Ø Fori Holes Ø (mm) | N°Fori Holes No. | Ø Fori Holes Ø | Interasse fori Distance between holes (mm) |
| TMS3* | 3 | 1,8 | 4 | 9 | / | / | / |
| TMS5** | 5 | 3 | 4 | 9 | 4 | M6 | Ø250 |
| TMS15 | 15 | 9 | 4 | 9 | 4 | M6 | Ø250 |
| TMS25 | 25 | 15 | 4 | 9 | 4 | M6 | Ø250 |
| TMS40 | 40 | 24 | 4 | 9 | 4 | M6 | Ø250 |
| TMS60 | 60 | 36 | 4 | 9 | 4 | M6 | Ø250 |
| TMS100 | 100 | 60 | 4 | 9 | 4 | M6 | Ø250 |

*Queste versioni non hanno la spia e coperchio. / *This versions don't have spyhole and cover.*

**Queste versioni non hanno la spia. / *This versions don't have spyhole.*



| DIMENSIONI / DIMENSIONS | | | | | | | | | |
|-------------------------|-----------|-----------|-----------|------------|-----------|-----------|-----------|-----------|------------|
| MODELLO MODEL | A (mm) | B (mm) | H (mm) | Ø1 (mm) | C (mm) | D (mm) | E (mm) | F (mm) | Ø2 (mm) |
| TMS3 | 270 | / | 170 | 10 | 100 | 100 | 120 | 140 | 50 |
| TMS5 | 360 | 397 | 270 | 10 | 130 | 150 | 150 | 195 | 70 |
| TMS15 | 360 | 397 | 410 | 10 | 130 | 150 | 150 | 195 | 70 |
| TMS25 | 360 | 397 | 560 | 10 | 130 | 150 | 150 | 195 | 70 |
| TMS40 | 480 | 520 | 530 | 10 | 130 | 150 | 150 | 195 | 70 |
| TMS60 | 480 | 520 | 670 | 10 | 130 | 150 | 150 | 195 | 70 |
| TMS100 | 480 | 520 | 930 | 10 | 130 | 150 | 150 | 195 | 70 |