

DEUMIDIFICATORI / DEHUMIDIFYING DRYERS



MODELLO / MODEL	DES 111	DES 112	DES 113
Alimentazione (V-Hz) Power supply (V-Hz)	400 – 50/60		
Soffiante (kW) Blower (kW)	0.2	0.4	0.85
Portata d'aria (m ³ /h) Air flow (m ³ /h)	50	80	100
Riscaldamento (kW) Heating (kW)	1.5	2.7	3.5
Temperatura massima (°C) Max Temperature (°C)	140	140	140
Consumo medio a 80°C (kW/h) Average consumption at 80°C (kW/h)	1.5	2	2.5
Rumorosità massima (dBA) Noise max level (dBA)	< 80	< 80	< 80
Peso approssimativo (kg) Approx. Weight (kg)	75	85	100

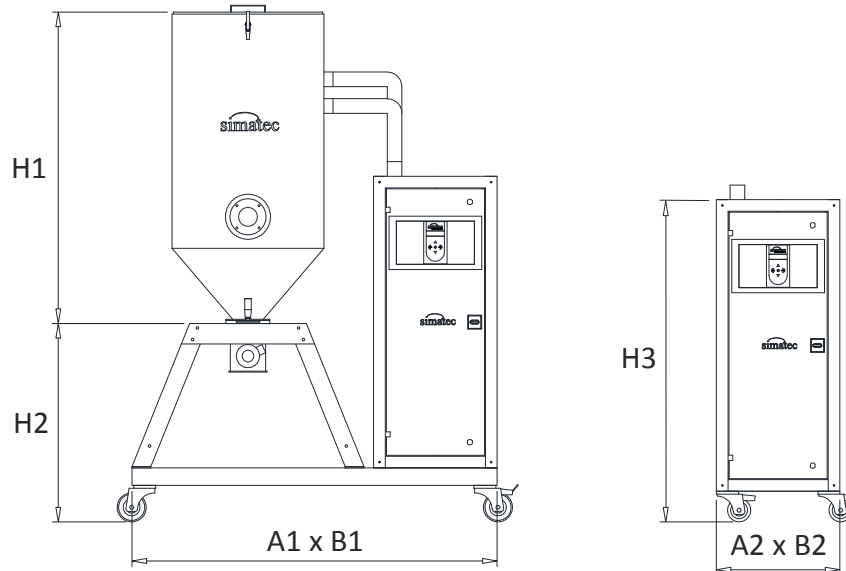
TRAMOGGE DI DEUMIDIFICAZIONE / DEHUMIDIFYING HOPPERS

MODELLO / MODEL	TRS 40	TRS 60	TRS 80	TRS 100	TRS 150	TRS 200
Capacità (dm ³) Capacity (dm ³)	40	60	80	100	150	200
Peso approssimativo (kg) Approx. Weight (kg)	22	40	45	48	58	67

ABBINAMENTI CONSIGLIATI / RECOMMENDED COMBINATIONS

MODELLO / MODEL	TRS 40	TRS 60	TRS 80	TRS 100	TRS 150	TRS 200
DES 111	✓	✓				
DES 112		✓	✓	✓		
DES 113			✓	✓	✓	✓

DEUMIDIFICATORI / DEHUMIDIFYING DRYERS



DIMENSIONI (mm) / DIMENSIONS (mm)

DES	DES 111			DES 112			DES 113		
TRS	TRS 40	TRS 60	TRS 80	TRS 60	TRS 80	TRS 100	TRS 100	TRS 150	TRS 200
A1	1250	1250	1250	1250	1250	1250	1250	1250	1250
B1	800	800	800	800	800	800	800	800	800
H1	710	850	1010	850	1010	1120	1120	1175	1370
H2	680	680	680	680	680	680	680	680	680
MODELLO / MODEL	DES 111			DES 112			DES 113		
A2	424			424			424		
B2	800			800			800		
H3	1125			1125			1125		